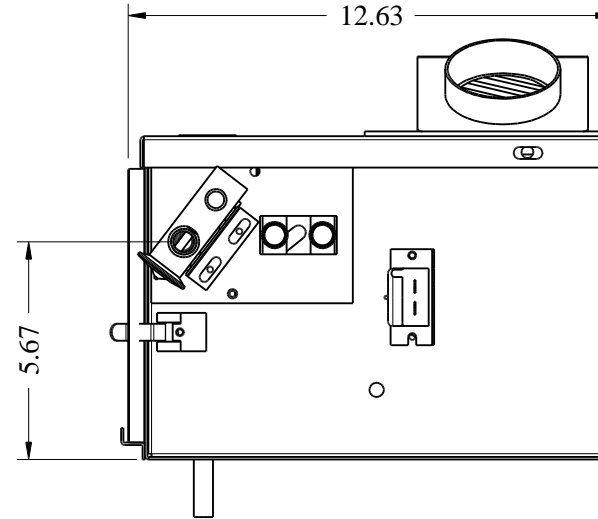
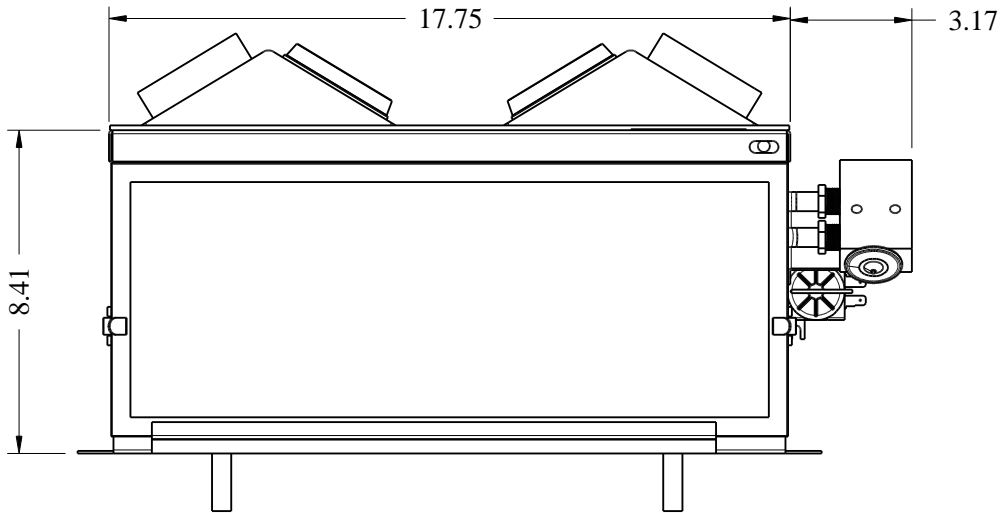
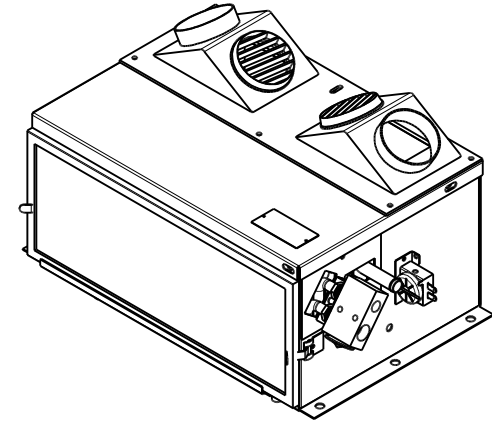



REVISION				
REV.	ECO NO.	DESCRIPTION	DATE	APPROVED



COOLING BTU: 25,000
 HEATING BTU: 38,000
 CFM : 395
 AMP DRAW : 6 @ 24v DC

DRAWN DM	DATE: 02/24/14	BADGE  AIRE INC. 200 EAST WALNUT STREET CHIPPEWA FALLS, WI 54729 BADGEAIRE.COM (715) 723-7022		
CHECKED	DWG. SIZE A			
MFG APP	SCALE			
ENG APP	NO SCALE			
MATERIAL: N/A		DWG NO. B-655-0	REV. A	
FINISH PER ENGR. SPEC. # N/A		TITLE: HEAT/AC UNIT		
		SHEET NO. 1 OF 1		