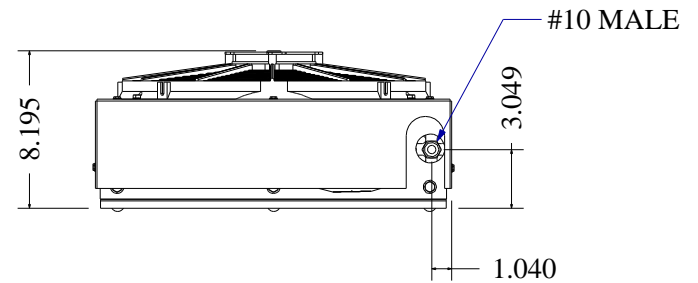
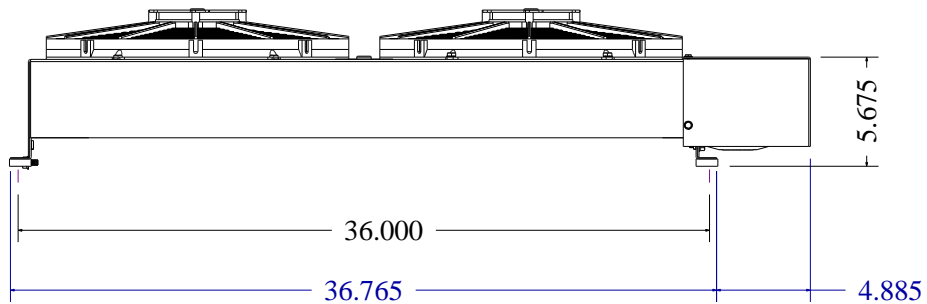
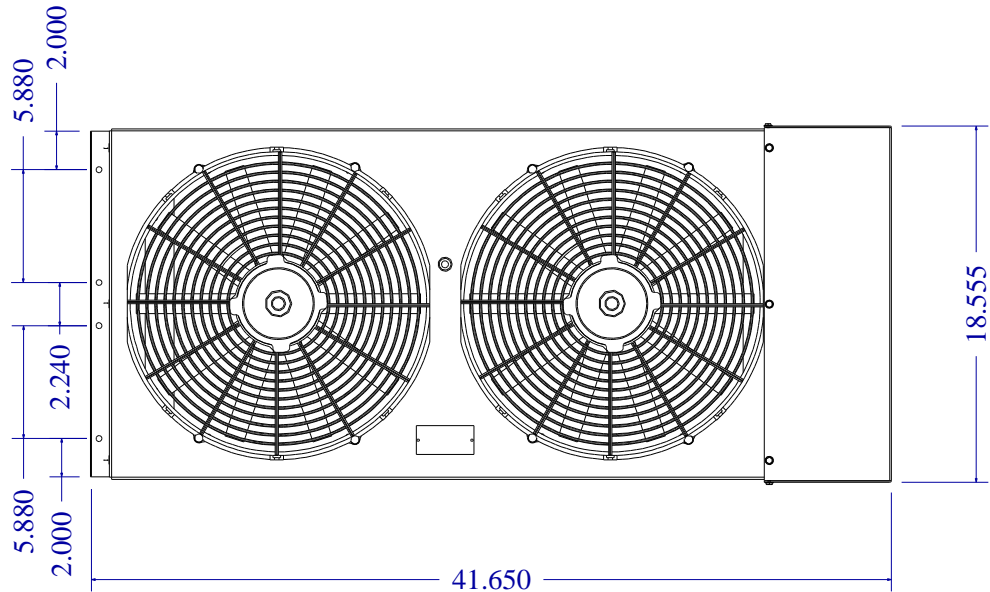


SPECIFICATIONS	
HEATING PERFORMANCE	N/A
COOLING PERFORMANCE	68,000 BTU'S/HR
AIR FLOW	2,400 CFM
CURRENT DRAW	24 AMPS @ 13 VDC (INCLUDES 2 AMPS FOR A/C CLUTCH)
MOTOR	(2) - 12v

REVISION				
REV. A	ECO NO. 968	DESCRIPTION RELEASE	DATE 07/10/12	APPROVED MK



DRAWN MK	DATE: 07/10/12	BADGE  AIRE INC. 200 EAST WALNUT STREET CHIPPEWA FALLS, WI 54729 (715) 723-7022	
CHECKED	DWG. SIZE A		
MFG APP	SCALE		TITLE: DIMENSIONAL
ENG APP	NO SCALE		
MATERIAL: N/A		DWG NO. B-734-3	REV. A
FINISH PER ENGR. SPEC. # N/A		SHEET NO. 1 OF 3	