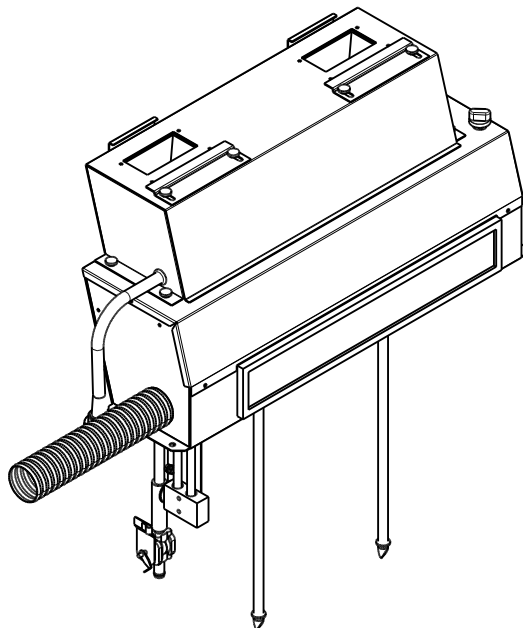
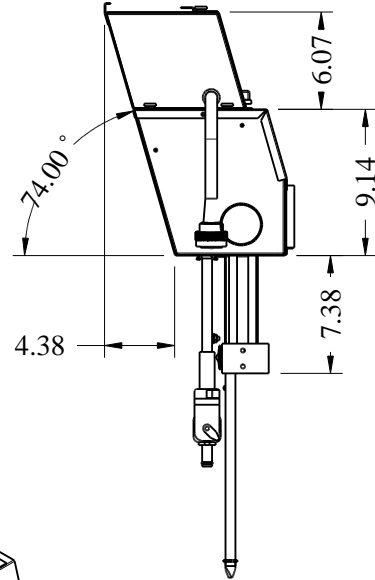
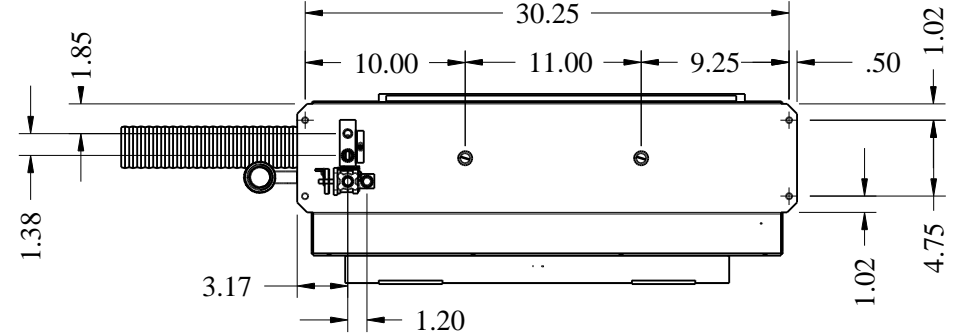
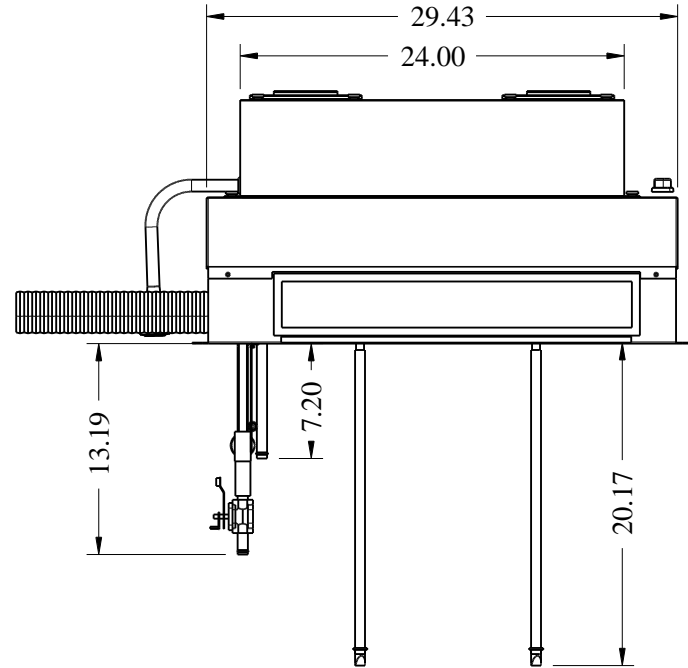



SPECIFICATIONS

HEATING PERFORMANCE	38,000
COOLING PERFORMANCE	28,750
AIR FLOW	800 CFM
CURRENT DRAW	14 @ 27.3 VDC (INCLUDES 2 AMPS FOR A/C CLUTCH)
MOTOR	(2) 24v SINGL. SQ. CAGE



REVISION				
REV.	ECO NO.	DESCRIPTION	DATE	APPROVED



DRAWN DM	DATE: 10/01/13	BADGE  AIRE INC. 200 EAST WALNUT STREET CHIPPEWA FALLS, WI 54729 (715) 723-7022		
CHECKED	DWG. SIZE A			
MFG APP	SCALE	TITLE: HEAT/AC UNIT		
ENG APP	NO SCALE			
MATERIAL: N/A		DWG. NO. B-900-0-24	REV. B	
FINISH PER ENGR. SPEC. # N/A			SHEET NO. 1 OF 4	