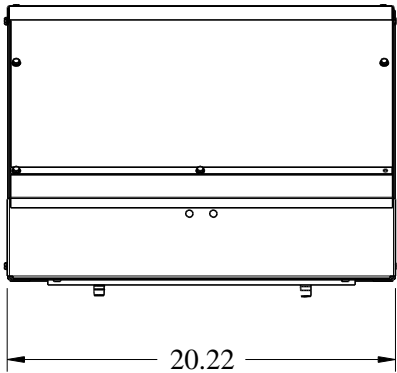
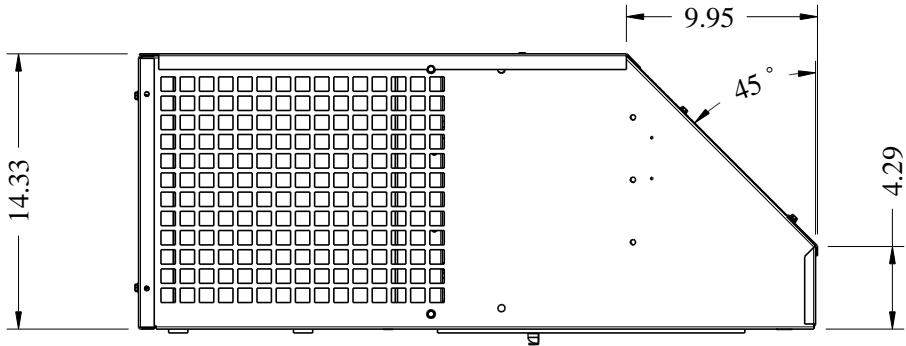
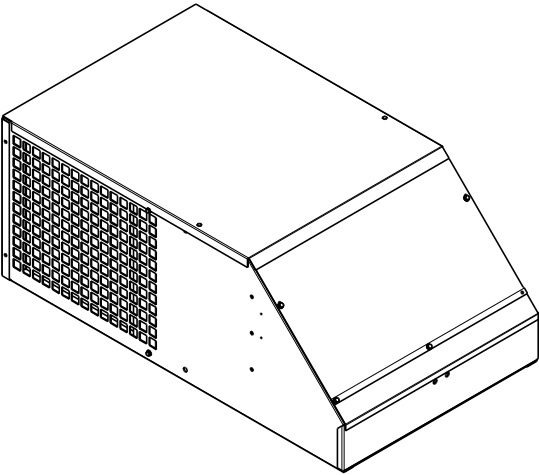
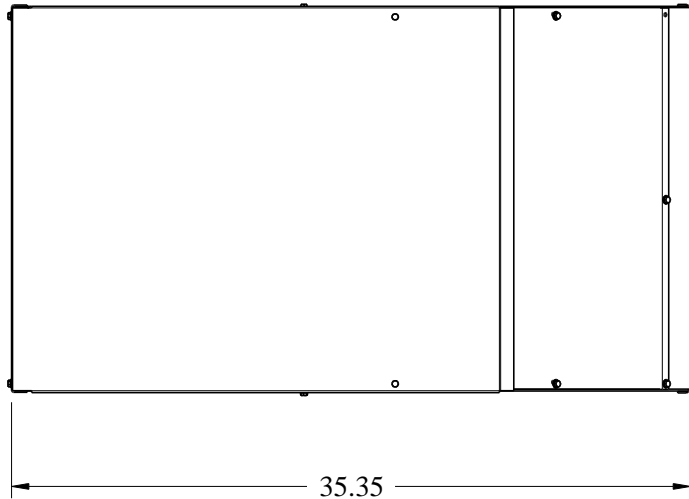


REVISION				
REV.	ECO NO.	DESCRIPTION	DATE	APPROVED
		UNCONTROLLED DOCUMENT		



DRAWN DM	DATE: 10/03/13	BADGE AIRE 200 EAST WALNUT STREET CHIPPEWA FALLS, WI 54729 (715) 723-7022				
CHECKED	DWG. SIZE A					
MFG APP	SCALE				TITLE: 110v AC UNIT	
ENG APP	NO SCALE					
MATERIAL: N/A		DWG NO. B-902-0	REV. B			
FINISH PER ENGR. SPEC. # N/A			SHEET NO. 1 OF 1			