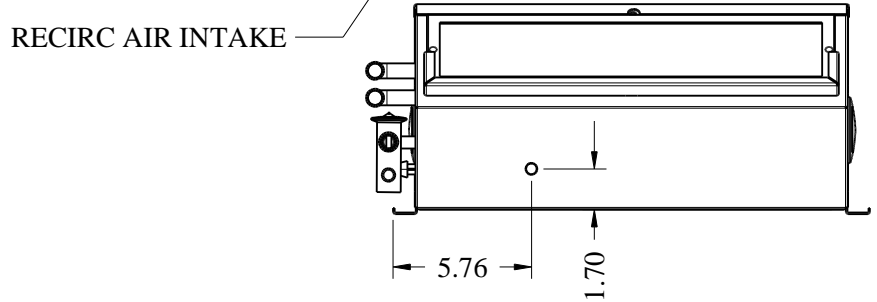
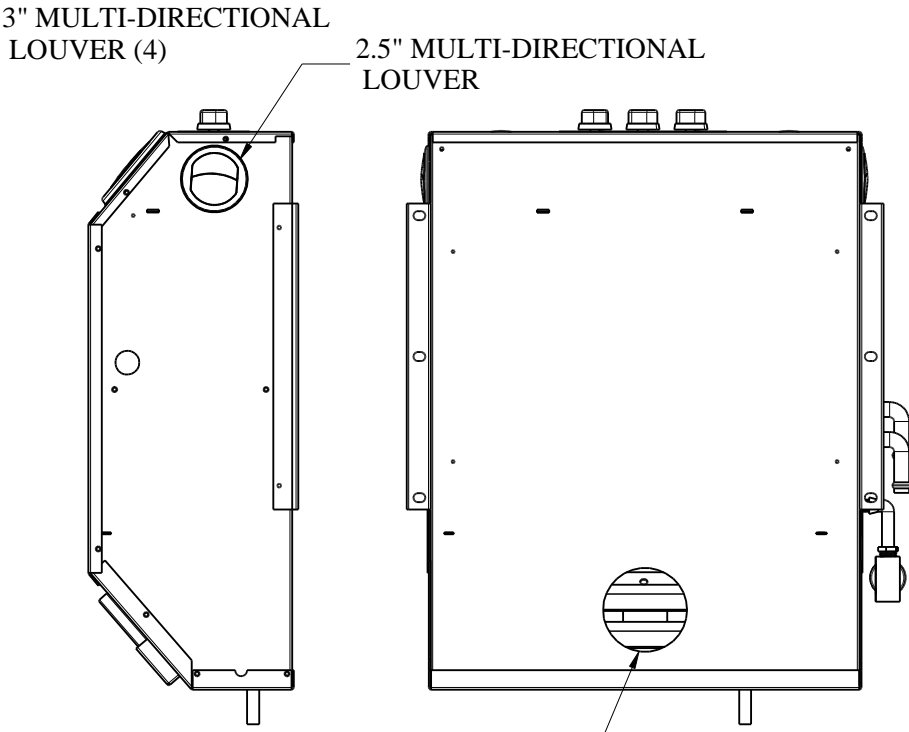
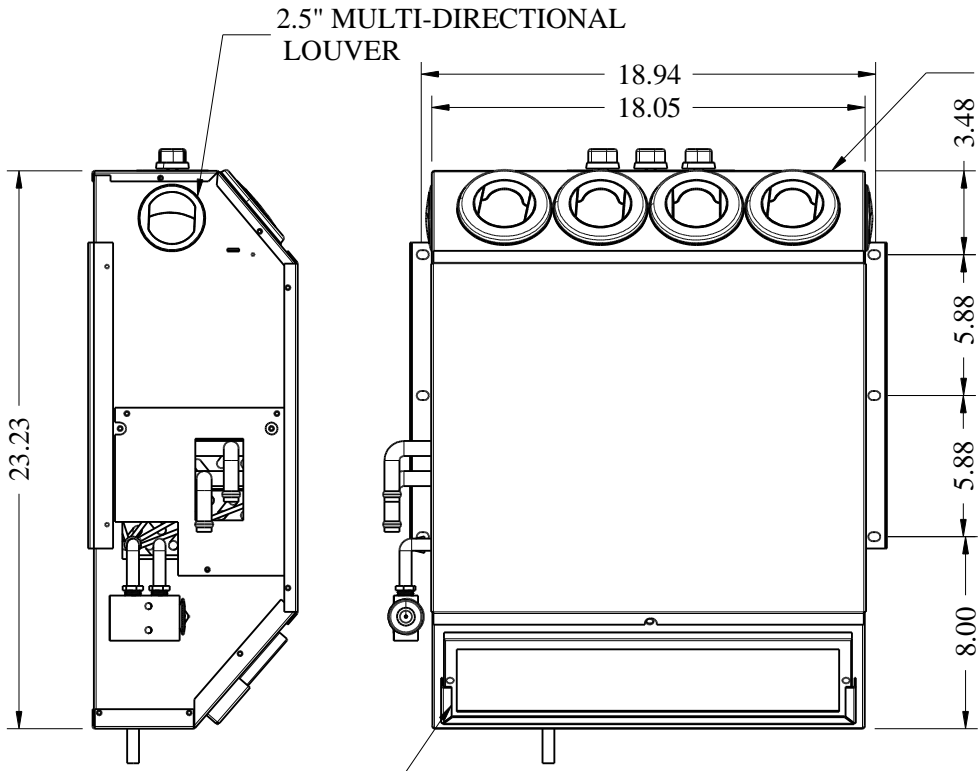
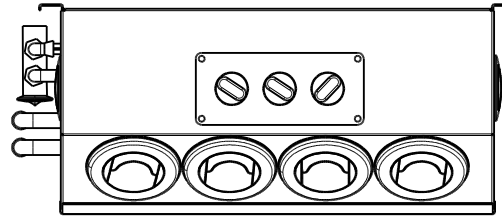



REVISION				
REV.	ECO NO.	DESCRIPTION	DATE	APPROVED

COOLING BTU = 34,500
 HEATING BTU = 47,000
 AIRFLOW = 650 CFM
 AMP DRAW = 15.5 @ 26VDC



FRESH AIR INTAKE

DRAWN DM CHECKED MFG APP ENG APP	DATE: 05/14/14 DWG. SIZE A SCALE NO SCALE	<p align="center">BADGE  AIRE INC.</p> <p align="center">200 EAST WALNUT STREET CHIPPEWA FALLS, WI 54729 BADGEAIRE.COM (715) 723-7022</p>	
MATERIAL: N/A		DWG NO. B-909-0-24	REV. A
FINISH PER ENGR. SPEC. # N/A		TITLE: HEAT/AC WALL MOUNT SHEET NO. 1 OF 1	