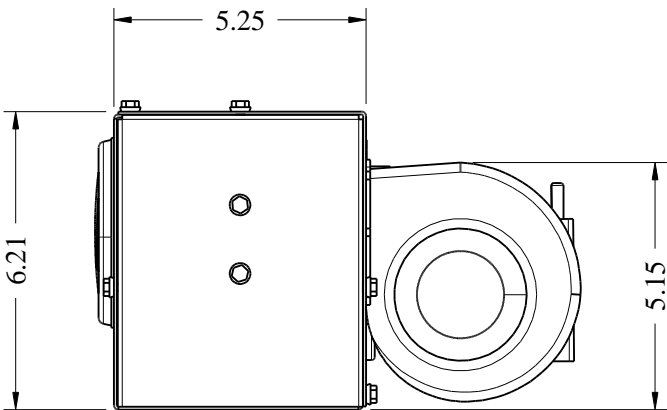
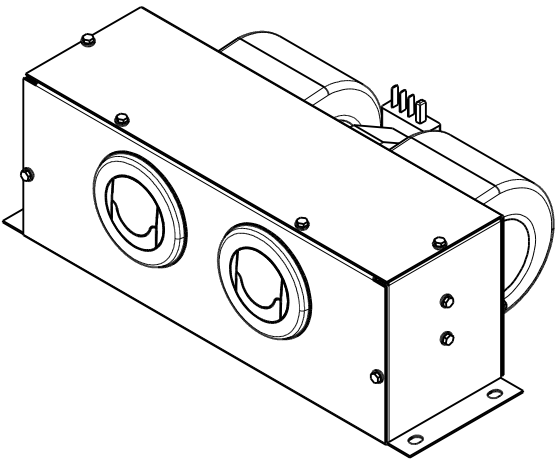
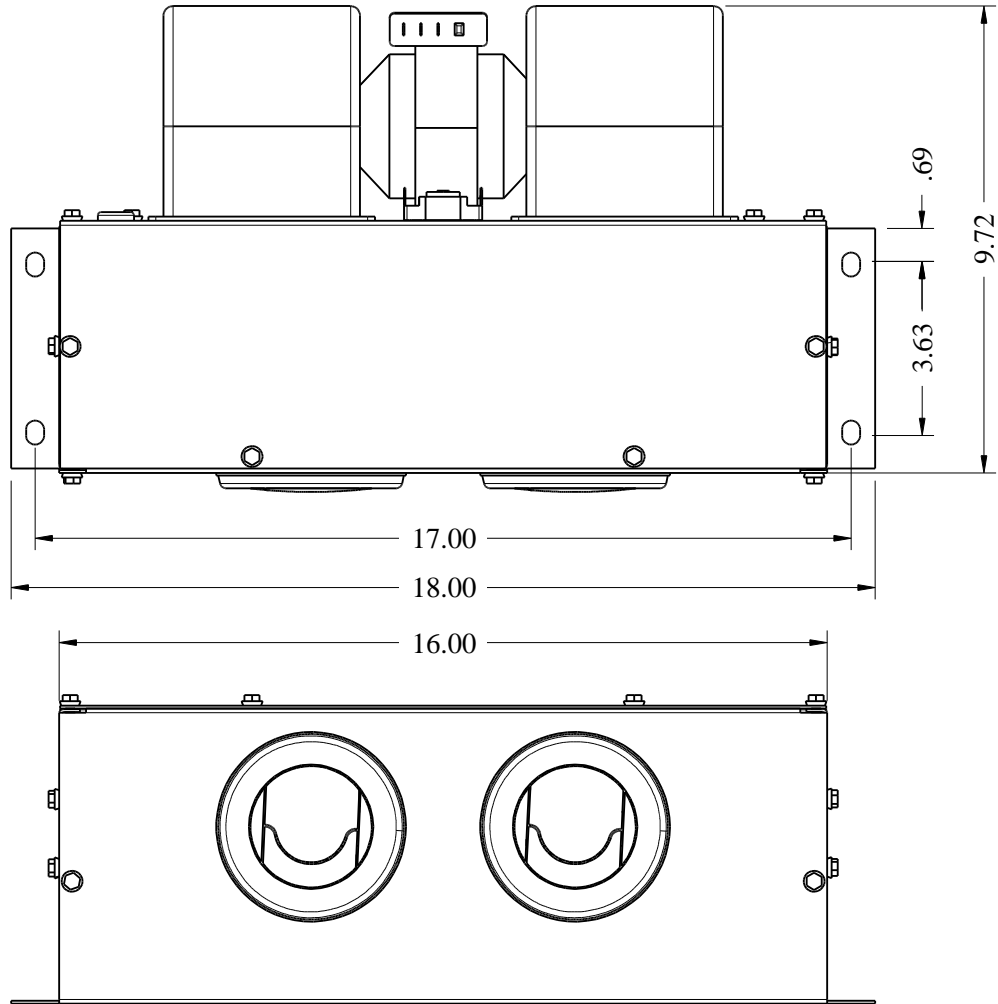



REVISION				
REV.	ECO NO.	DESCRIPTION	DATE	APPROVED
A	1007	RELEASE OF UNIT PRINTS	03/05/14	DM



HEATING BTU: 8,500
 AMP DRAW : 19 @ 110v AC - 4 AMPS DC
 WATTS : 2500
 BLOWER : 3 SPEED 12 OR 24v DC
 CFM : 400

DRAWN DM	DATE: 02/27/14	BADGE  AIRE INC. 200 EAST WALNUT STREET CHIPPEWA FALLS, WI 54729 BADGEAIRE.COM (715) 723-7022
CHECKED	DWG. SIZE A	
MFG APP	SCALE	
ENG APP	NO SCALE	
MATERIAL: N/A		TITLE: 110v AC HEATER
FINISH PER ENGR. SPEC. # N/A		DWG NO. B-927
		REV. A
		SHEET NO. 1 OF 1