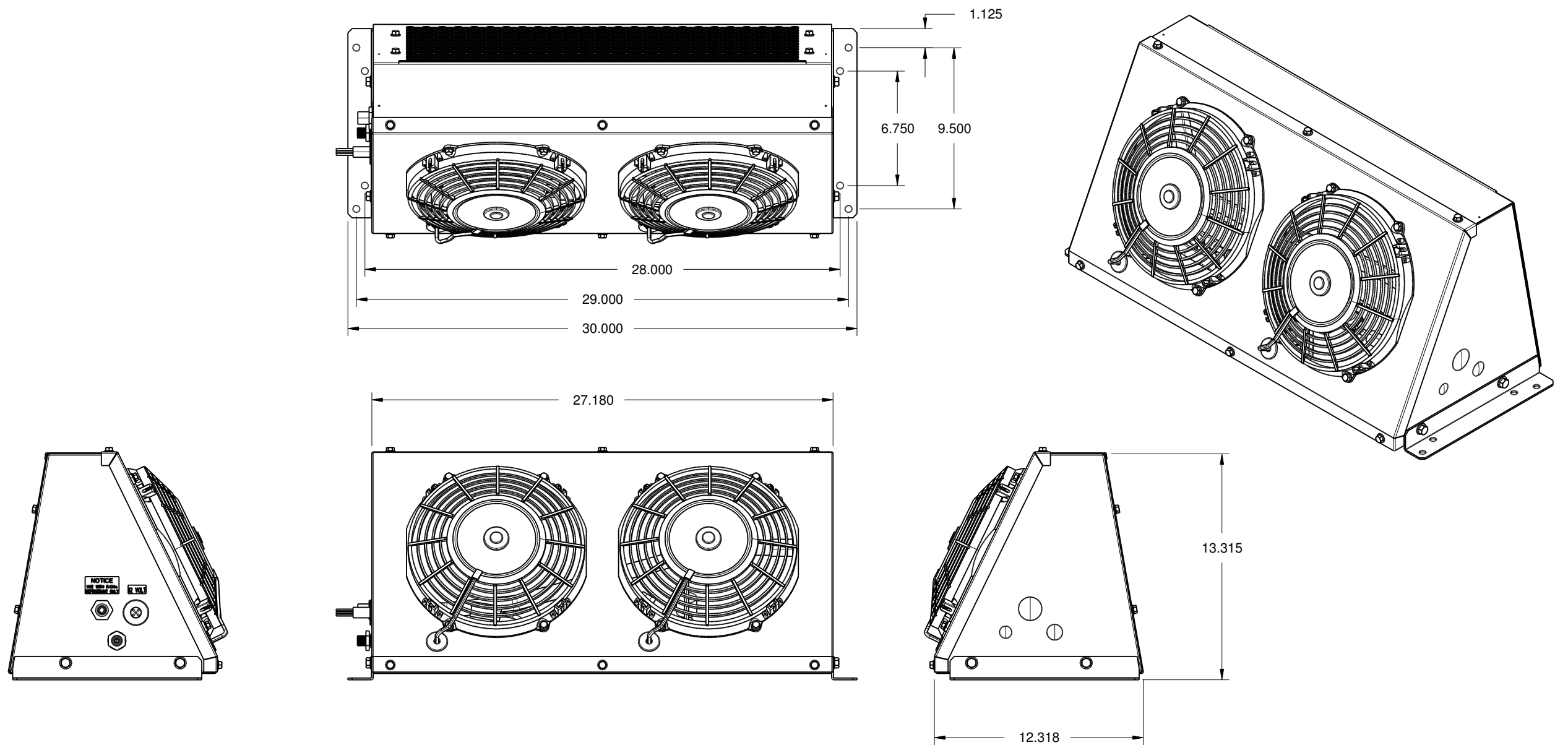



REVISIONS				
REV	ECN NO.	DESCRIPTION	DATE	APPROVED



DATE:	04/29/19		<b>BADGE  AIRE INC.</b> 200 EAST WALNUT STREET CHIPPEWA FALLS, WI 54729 (715) 723-7022			
DRAWN BY:	DM	MFG APP				
CHECKED:		ENG APP	TITLE <b>CONDENSER 12/24V</b>			
MATERIAL:	N/A		SIZE <b>B</b>	PART NO. EE605-1-12/24	DWG NO.	REV 1
FINISH PER ENGR. SPEC. #	N/A		SCALE NO SCALE		SHEET 1 OF 1	