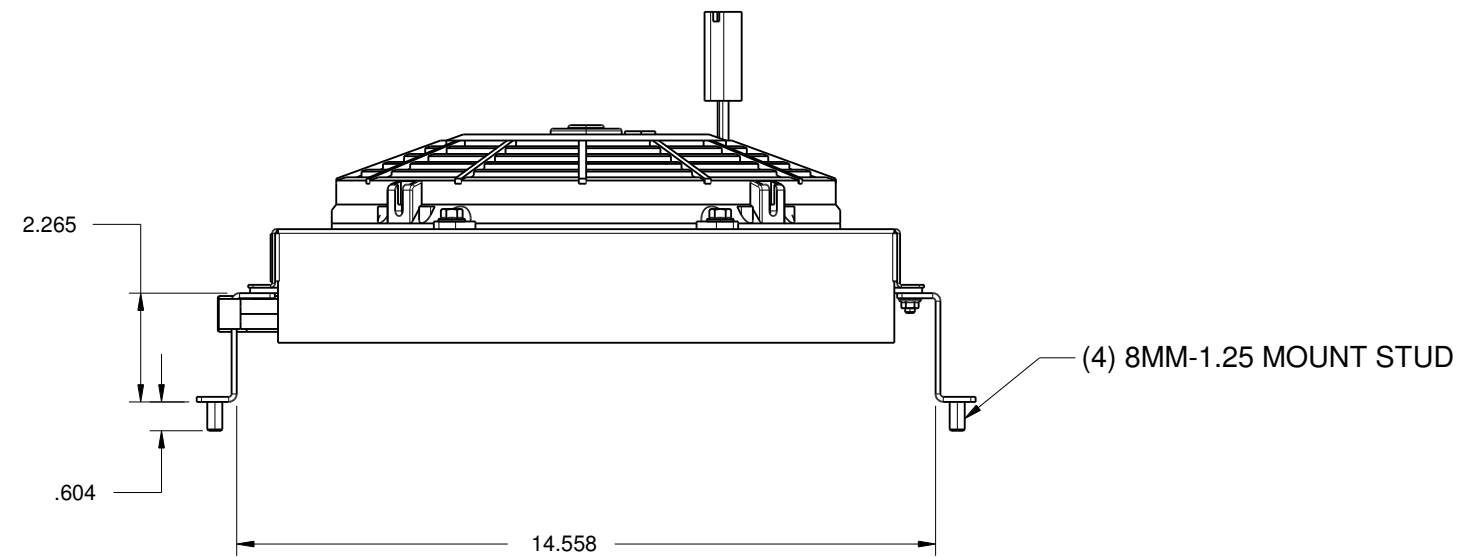
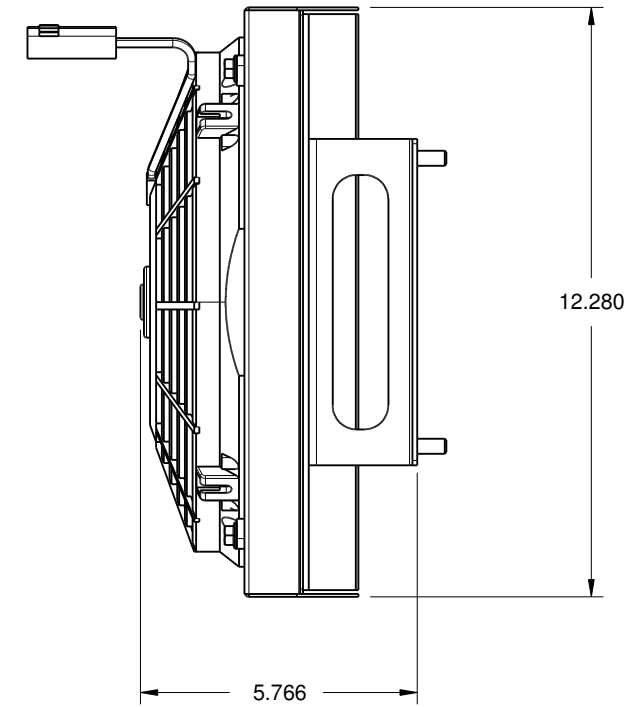
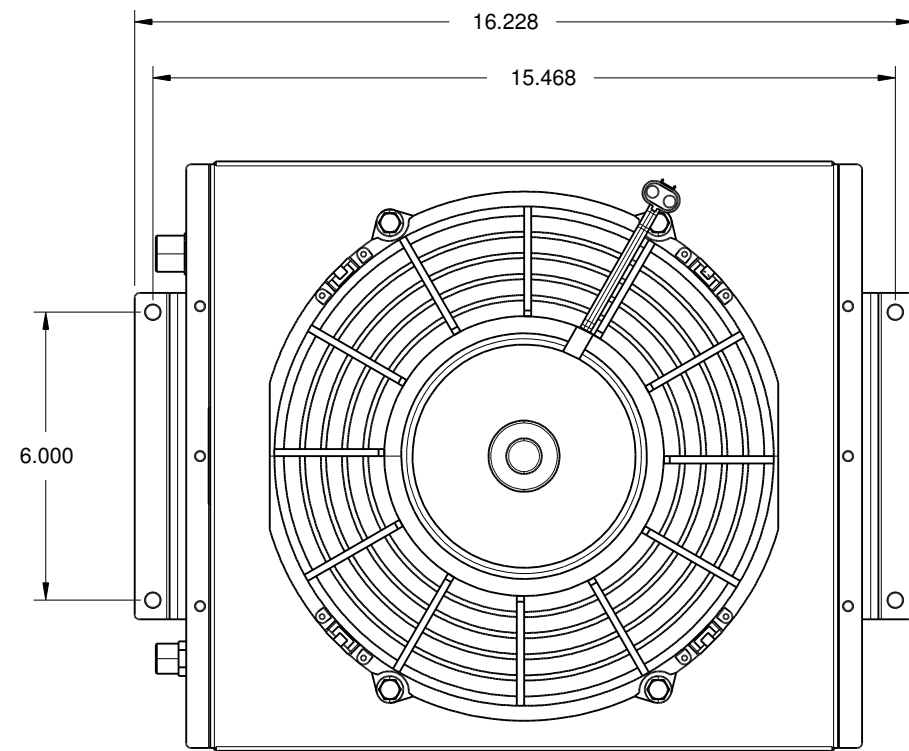



REVISIONS				
REV	ECN NO.	DESCRIPTION	DATE	APPROVED



AMP DRAW 11@12VDC
5.4@24VDC
BTU 20,000
CFM 1100

DATE: 02/06/19		BADGE  AIRE INC. 200 EAST WALNUT STREET CHIPPEWA FALLS, WI 54729 (715) 723-7022		
DRAWN BY: DM	MFG APP			
CHECKED	ENG APP	TITLE CONDENSER		
MATERIAL: N/A	SIZE B	PART NO. EE651-3-12/24	DWG NO.	REV A
FINISH PER ENGR. SPEC. # N/A	SCALE NO SCALE		SHEET 1 OF 1	